

# Metering gear pumps

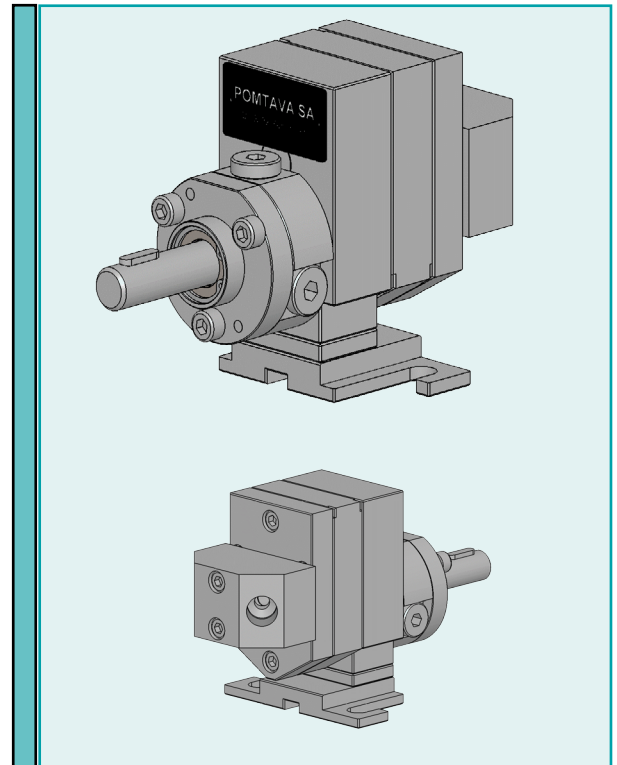
**1610-1-1**

## Application fields

Silicones, glues, elastomers, polyurethanes, various resins, various hardeners, pigments, epoxy, polyesters, etc...

## Strong points

- All parts are in tempered stainless steel
- Reduction of “dead zones” allowing for a better flushing
- New sealing technology combining lip seals and liquid barrier
- Sealing options quickly interchangeable
- Strong, coated drive shaft, held in place with 2 bearings and a axial thrust
- Centering pins making pump assembly easier and increasing its accuracy



## Technical data

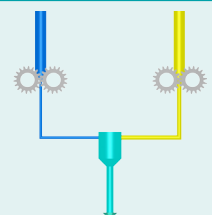
<b>Sealing :</b>	Lip seals and liquid barrier <b>(16KA)</b>
<b>Rotation speed :</b>	From 10min <sup>-1</sup> to 200min <sup>-1</sup> , depending on the product involved
<b>Standard rotation :</b>	Clockwise rotation (A)
<b>Temperature :</b>	Max. 135°C
<b>Output pressure :</b>	Max. 100 bars
<b>Input/Output :</b>	2 holes Ø 6mm on the rear of the pump. Delivered with connecting block G1/4” (0.05 cc/rev and 0.1 cc/rev = G1/8”)
<b>Driving shaft diameter :</b>	Ø12mm with a 4mm key
<b>Drive shaft height :</b>	H=40mm

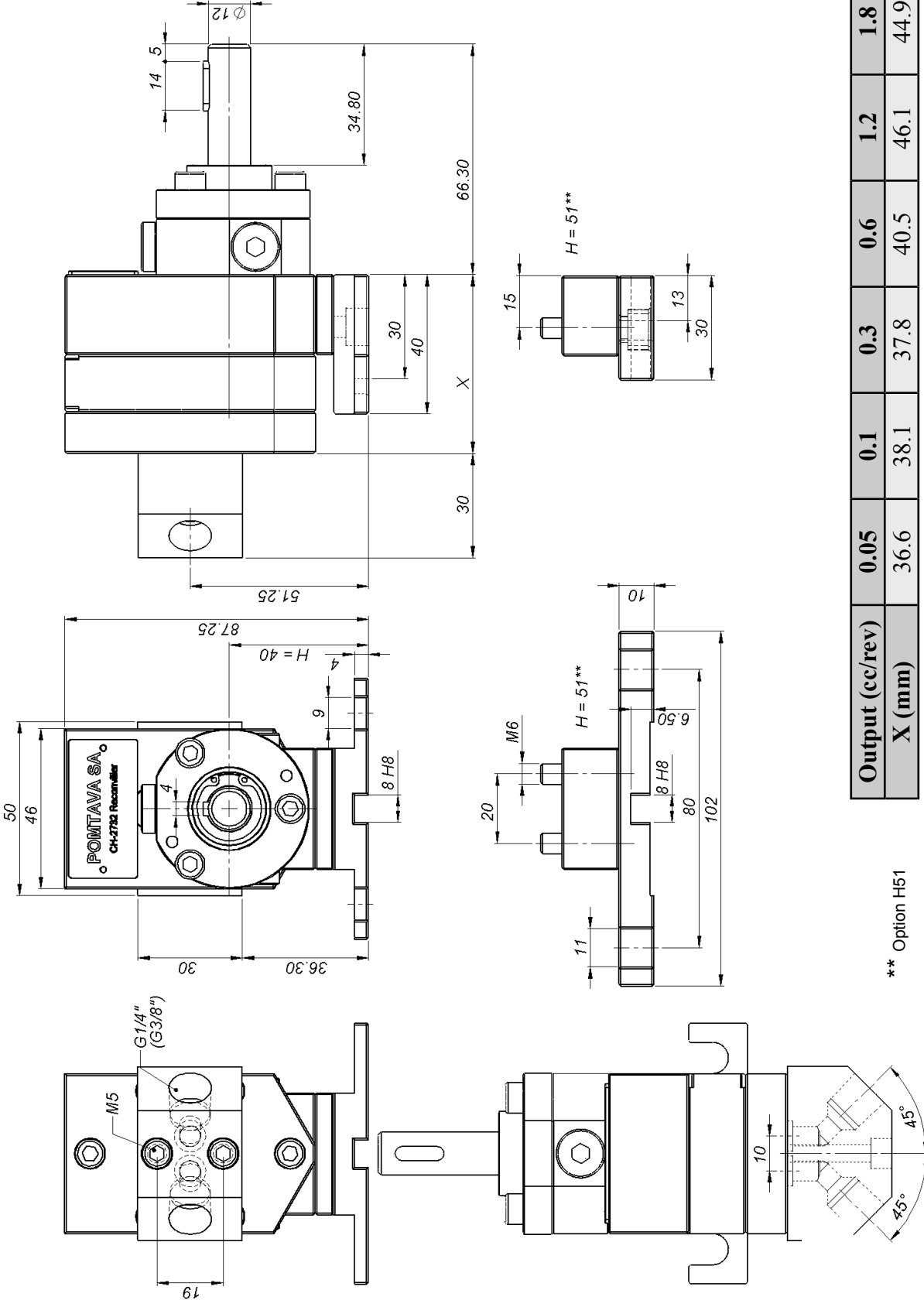
## Available outputs

0.05cc/rev    0.1cc/rev    0.3cc/rev    0.6 cc/rev    1.2cc/rev    1.8cc/rev    2.4cc/rev    3.0cc/rev

## Options

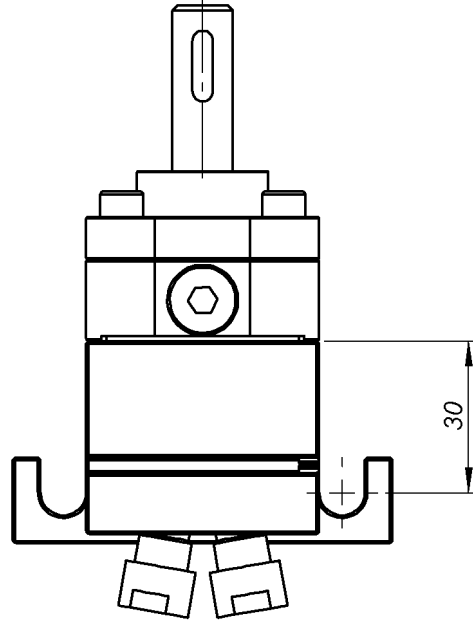
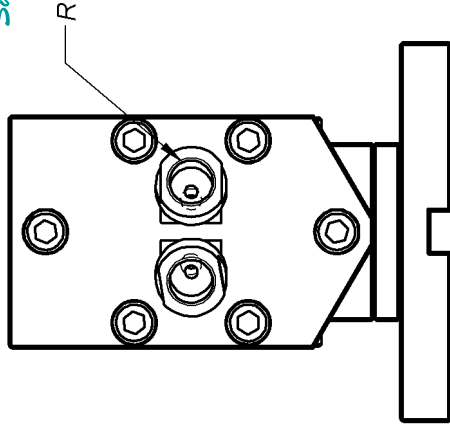
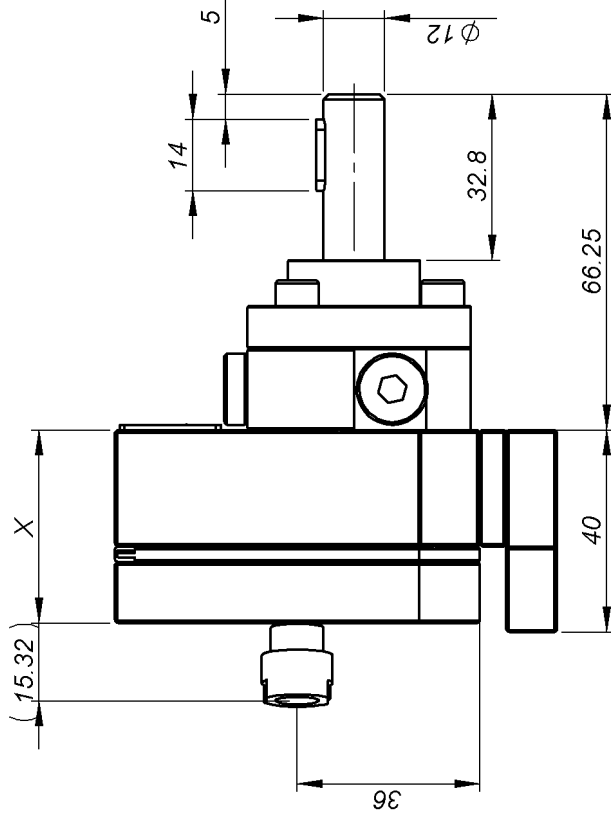
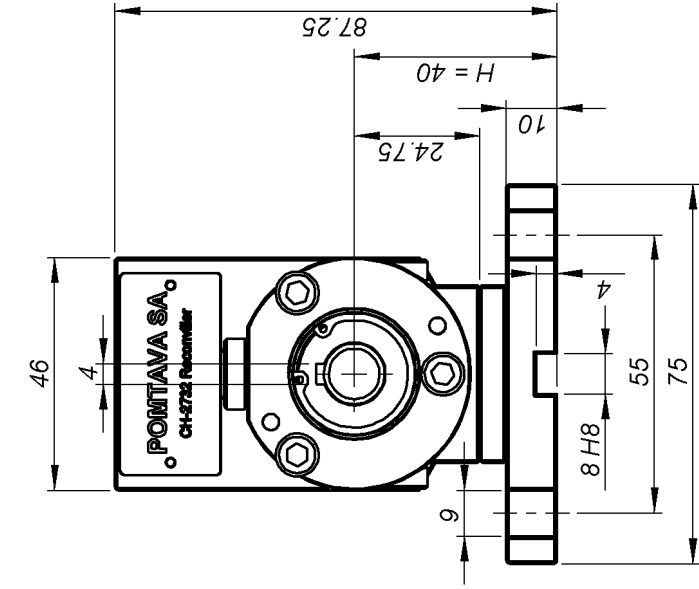
- **(T2)** Entirely treated with ADLC (not for 0.05 cc/rev)
- **(H51)** Stand for drive shaft height H=51mm
- **(Z)** Counterclockwise rotation
- **(AZ)** Clockwise and counterclockwise rotation
- **(AB38)** Connecting block G3/8”





\*\* Option H51

Output (cc/rev)	0.05	0.1	0.3	0.6	1.2	1.8	2.4	3.0
X (mm)	36.6	38.1	37.8	40.5	46.1	44.9	47.9	51.4



Output (cc/rev)	0.05	0.1
X (mm)	36.6	38.1