

# Metering gear pumps

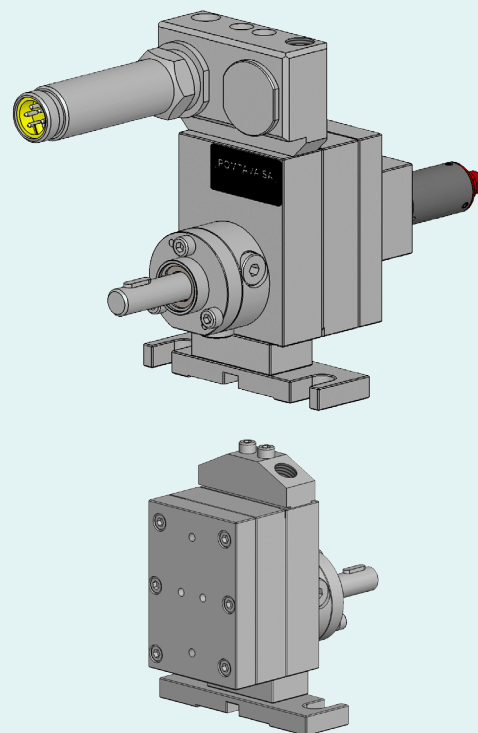
**2611-4-2**

### Application fields

This pump is mainly fitted for water or solvant based automotive and industrial paint.

### Strong points

- Floating driven gear, without idler shaft, allowing a better flushing
- All parts are in tempered stainless steal
- Reduction of “dead zones” allowing a better flushing
- New sealing technology combining lip seals and liquid barrier
- Sealing options quickly interchangeable
- Strong, coated drive shaft, held in place with 2 bearings and a axial thrust
- Centering pins making pump assembly easier and increasing its accuracy
- Cover plate with flushing holes for bypass block



2611-4-2

### Technical data

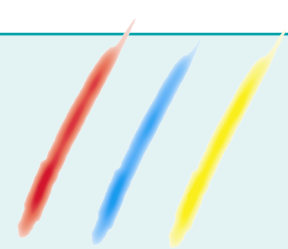
<b>Sealing :</b>	Lip seals and liquid barrier <b>(26KA)</b>
<b>Rotation speed :</b>	From 10min <sup>-1</sup> to 200min <sup>-1</sup> , depending on the product involved
<b>Standard rotation :</b>	Clockwise rotation (A)
<b>Output pressure :</b>	Max. 15 bars
<b>Input/Output :</b>	2 holes Ø 6mm on the body of the pump. Delivered with connecting block G1/4”
<b>Driving shaft diameter :</b>	Ø12mm with a 4mm key
<b>Drive shaft height :</b>	H=51mm

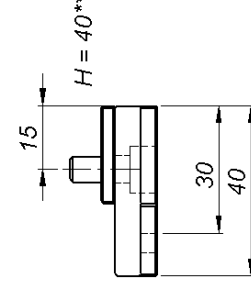
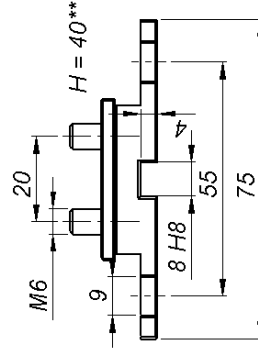
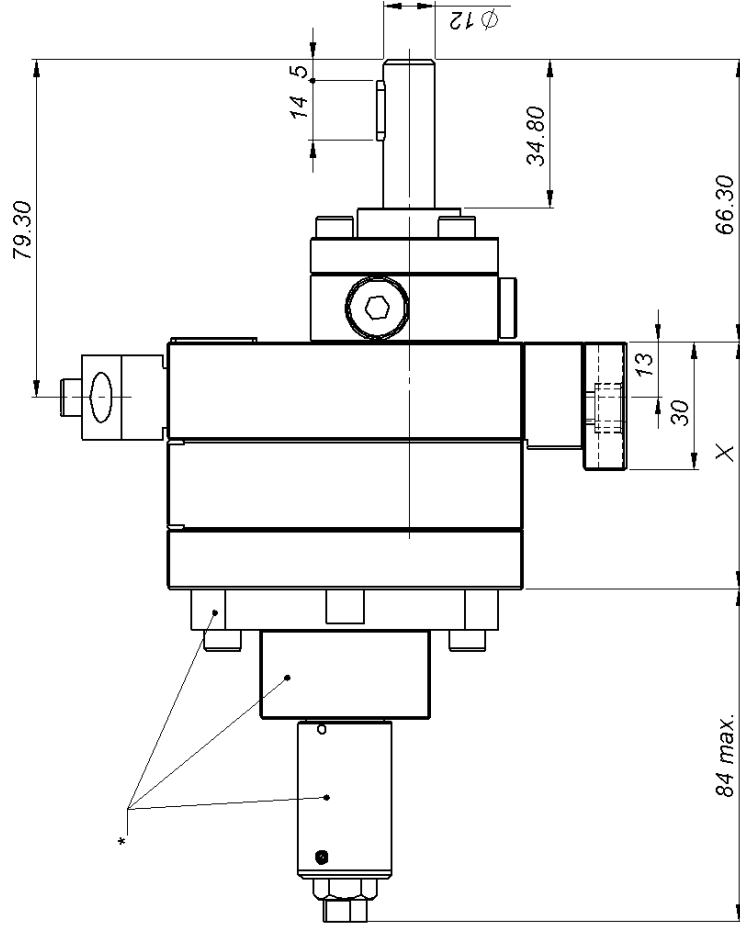
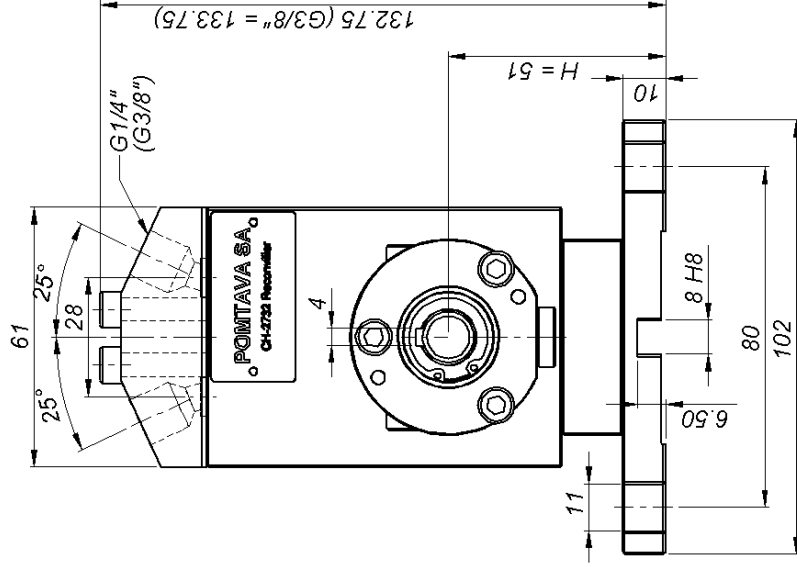
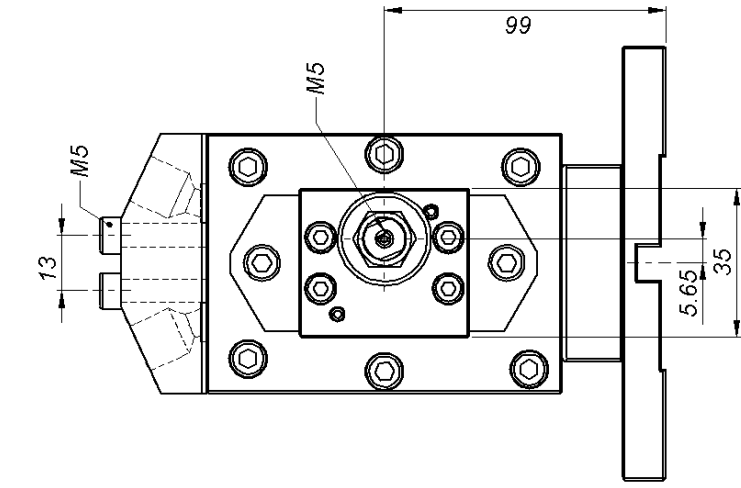
### Available outputs

1.2cc/rev    2.4cc/rev    3.0cc/rev    6.0cc/rev    10.0cc/rev

### Options

- **(T2)** Entirely treated with ADLC
- **(H40)** Stand for drive shaft height H=40mm
- **(Z)** Counterclockwise rotation
- **(AZ)** Clockwise and counterclockwise rotation
- **(BB)** Bypass block
- **(W)** Connecting block I/O G1/4” for 2 pressure sensors M28x1.5 or G1/2”
- **(AB38)** Connecting block G3/8”





\* Option block bypass \*\* Option H40

Outputs (cc/rev)	1.2	2.4	3.0	6.0	10.0
X (mm)	41.2	45.4	47.5	58.0	72.0

Chongqing PACO Sci. & Tech. Development Co., Ltd.  
 Tel. +86-23-6879 5340 E-mail: cqpaco@hotmail.com www.chinacqpaco.com